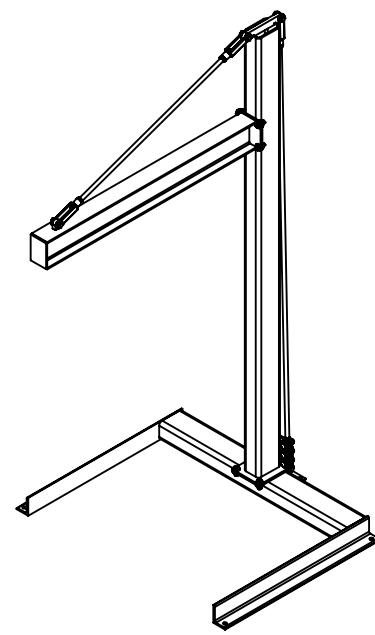
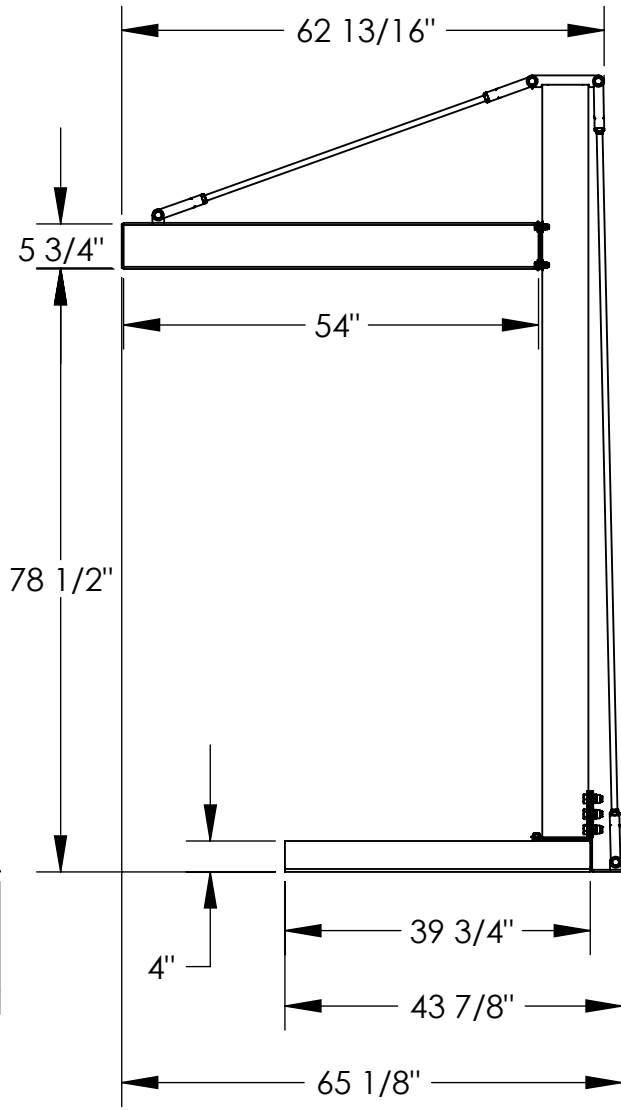
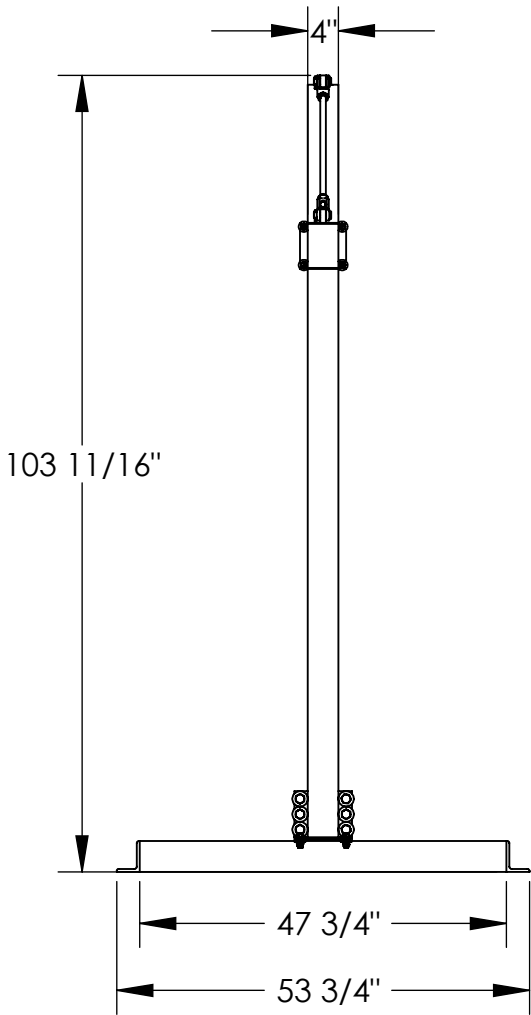


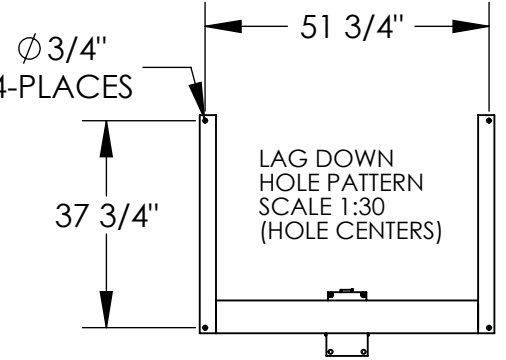
# MINI OVERHEAD CANTILEVER JIB-CJIB-20

APPROX WEIGHT: 439.70 lbs.  
 DOES NOT INCLUDE WEIGHT OF POWER OR PACKAGING!!!

\*\*\*ANY ADDITIONS, DELETIONS, OR OMISSIONS MUST BE CORRECTED ON THIS DRAWING AS THIS DRAWING WILL BE CONSIDERED ALL INCLUSIVE\*\*\*  
 ALL GRAPHICS PROVIDED ARE FOR REFERENCE ONLY. IF CERTAIN DIMENSIONS ARE CRITICAL PLEASE VERIFY THOSE DIMENSIONS WITH YOUR SALESPERSON



3D VIEW SHOWN FOR REFERENCE ONLY



**NOTE:**  
 SPECIAL FOUNDATION MAY BE REQUIRED: SEE OWNERS MANUAL FOR DETAILS

DIMENSION TOLERANCE ± 1/4"

## STANDARD FEATURES

- MODEL NUMBER IS CJIB-20
- CAPACITY IS 2,000 LBS.
- OVERALL WIDTH IS 53 3/4"
- STRADDLE WIDTH IS 47 3/4"
- OVERALL LENGTH IS 65 1/8"
- USABLE I-BEAM LENGTH IS 54"
- OVERALL HEIGHT IS 103 11/16"
- UNDER I-BEAM TO GROUND IS 78 1/2"
- I-BEAM SIZE: 6" HEIGHT X 4" FLANGE WIDTH
- DURABLE LIQUID PAINT BLUE FINISH

## SPECIAL FEATURES

NONE

**APPROVAL**

I, THE UNDERSIGNED, AGREE THAT THE PRODUCT AS REPRESENTED SATISFIES DESIGN AND DIMENSION REQUIREMENTS. I ALSO ACKNOWLEDGE MY DUTY TO CONFIRM PRODUCT AND INSTALLATION COMPLIANCE WITH ALL APPLICABLE FEDERAL, STATE AND LOCAL REGULATIONS AND STANDARDS.

**UNITS REQUIRING APPROVAL DRAWINGS OR MODIFIED ARE NON-RETURNABLE**

As drawn       As marked

Signed: \_\_\_\_\_ Date: \_\_\_\_\_

Printed Name: \_\_\_\_\_

LEAD TIME WILL START UPON RECEIPT OF SIGNED APPROVAL DRAWING

DISTRIBUTOR'S NAME:		P.O.#
VESTIL MANUFACTURING		X
DRAWN BY: ND		DATE: 1/30/2009
REFERENCE: X		SCALE: 1:25
QUOTED LEAD TIME: X	QUOTE # X	FILE NAME: 28-007-043